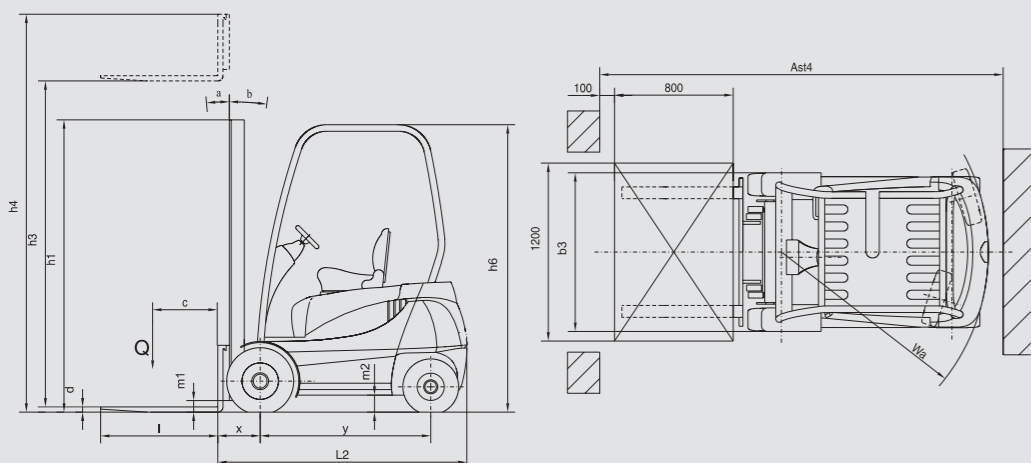


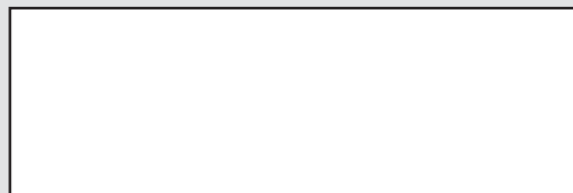
| | D12 | G12 | D16 | G16 | D20 | G20 |
|------------------------------------|--------|------|--------|------|--------|------|
| POWER SOURCE | diesel | LPG | diesel | LPG | diesel | LPG |
| LIFTING CAPACITY Q (kg) | 1250 | 1250 | 1600 | 1600 | 2000 | 2000 |
| RADIUS OF CENTRE OF GRAVITY c (mm) | 500 | 500 | 500 | 500 | 500 | 500 |
| TOTAL WIDTH b1 (mm) | 1070 | 1070 | 1070 | 1070 | 1070 | 1070 |
| LENGTH WITHOUT FORK L2 (mm) | 2130 | 2130 | 2150 | 2150 | 2215 | 2215 |
| PROTECTIVE FRAME HEIGHT h6 (mm) | 1995 | 1995 | 1995 | 1995 | 1995 | 1995 |

We will be glad to provide you with detailed technical parameters on request.



Your seller

**REGISTERED OFFICE
OF THE COMPANY: ČZ a.s.**
Sluneční náměstí č.p. 2540/5
158 00 Praha 5
www.czas.cz



PRODUCTION PLANT:
ČZ a.s. divize Auto-DESTA
Tovární 202
386 15 Strakonice

Tel.: +420 800 184 523
Fax: +420 383 343 043
E-mail: desta@czas.cz
www.cesta.cz



D (G) 12 - 20

The producer reserves the right of technical modifications



FRONT FORKLIFTS POWERED BY DIESEL OR LPG ENGINES

FRONT FORKLIFTS POWERED BY DIESEL OR LPG ENGINES

FRONT FORKLIFTS POWERED BY DIESEL OR LPG ENGINES



MODEL LINE

**FRONT FORKLIFTS
POWERED BY DIESEL
OR LPG ENGINES**

**MODEL LINE
D (G) 12 - 20**



The trucks of this series are characterised by minimum dimensions and a high stability. This pre-determinates them, among other things, also for handling in containers, wagons or in limited storage spaces. Accurate, easy and sensitive controllability is ensured by a hydrodynamic gear with integrated inching. The trucks may be driven by Diesel engines or LPG-combusting engines (these trucks have a "G" type identification). In both cases the trucks can also be equipped with a catalytic converter, enabling their operation in production and storage halls or other closed spaces. The new concept of design was subject particularly to ergonomic needs of the operators while reaching a high aesthetic standard. The new gears, contemporary Lombardini engines and hydrodynamic devices have ensured a minimum noise level of the truck and on the other hand reaching of a high transportation performance. The trucks meet the requirements of EEC Directive 89/392 and of Act No. 22/1997 and they bear the compliance identification of CE and CCZ



Optional features:

- Possibility of an easy connection of all additional devices
- Optional catalytic converter
- Solid-rubber or tube tyres
- Colour design at the Client's wish
- Possibility of work in containers and wagons
- High free lift of 1,3 m (for container design)

Operating advantages:

- Very small dimensions and operating clearance
- Inching in the basic outfit
- Complete working lighting
- Outstanding manoeuvrability
- Lifting outfit of various heights from 2,6m to 6,4m
- Innovated suspension of the rear axle with progressive damping
- Two-pedal control



Easy operation

Perfect ergonomics

Low access height



The D (G) 12 - 20 series trucks are intended particularly for work in storage spaces, containers and wagons, to which the low height of the protective frame and the lifting device with a big free lift are adapted. All the trucks of this series are approved for operation on roads and at the Client's wish they can be provided with the obligatory outfit.

